

Use and maintenance instructions

INDUS

Street lighting luminaire for installation on poles or brackets Ø60mm on top.
 TECHNICAL DETAILS: please refer to the product label

 The EU declaration of conformity can be downloaded from our website www.marecoluce.it

IP66 Protection degree against dust ingress, solid particles, moisture



Caution, risk of electrical shock



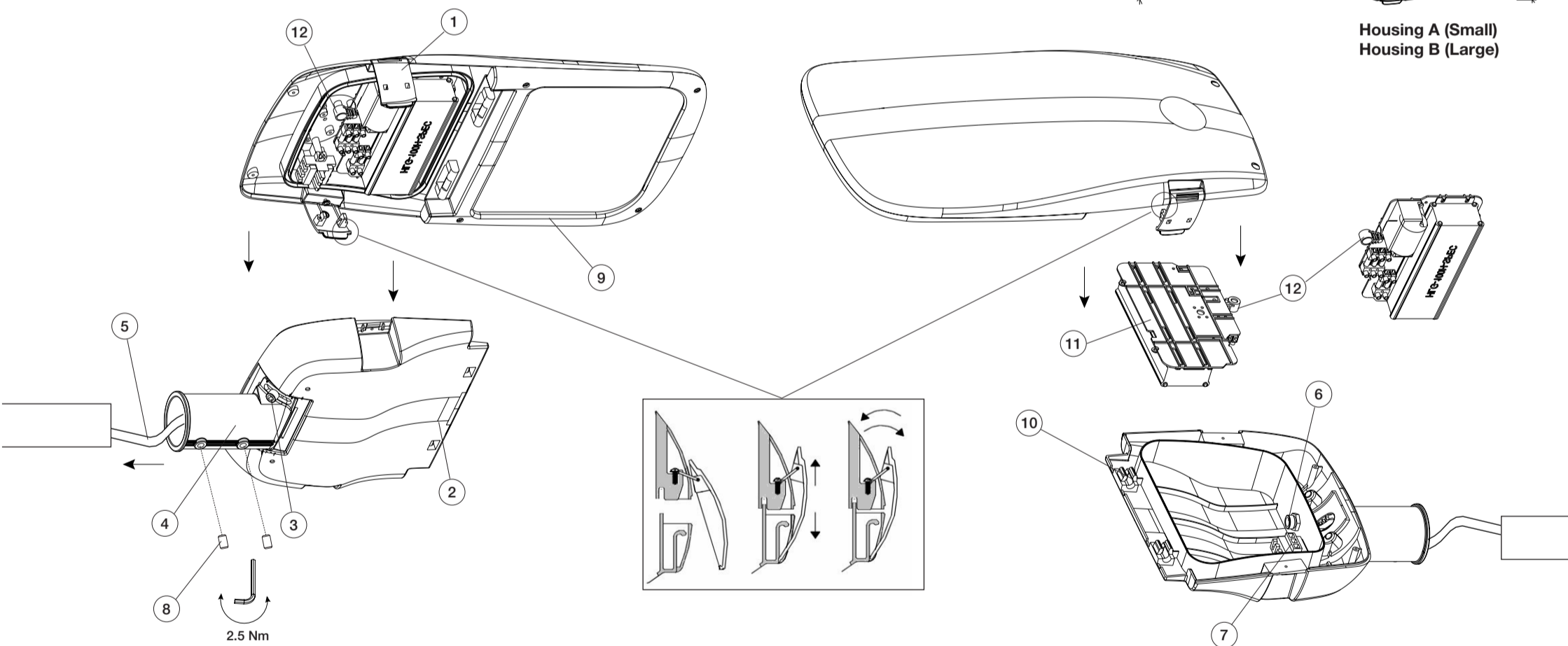
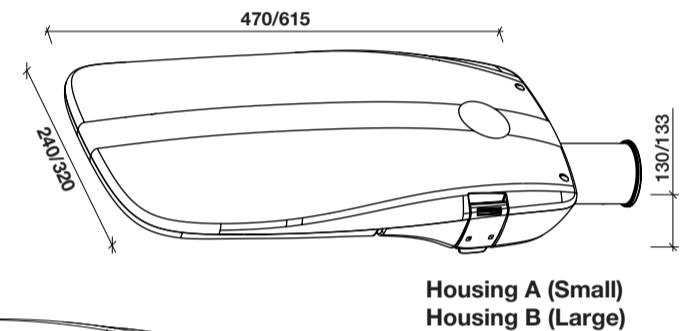
This product must not be disposed as a normal household waste

INSTALLATION INSTRUCTIONS:

1. Open the side clips (1) and remove the top of the base support (2).
2. Adjust the luminaire position according to the type of installation (see **Pict.1** or **Pict.2**) by completely untightening the screws (3) securing the pole top adaptor (4) to the base support (2). Once you have set the angle the pole top adaptor (4), tighten the screws (3) strongly.
3. Insert the supply cable (5) through the cable gland (6), and connect it to the terminal of the disconnecting switch (7) by respecting the polarities and the luminaire's insulation class.

A CAUTION: use only a flexible double insulation sheath (type HAR or suitable for outdoor use). The outer cable diameter must be between 6 and 12mm and the thickness of the inner electrical wires must range between 1 and 2.5mmq.

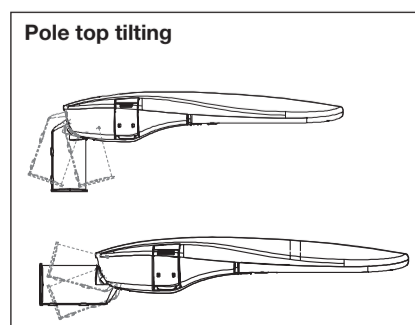
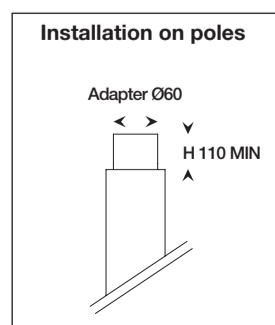
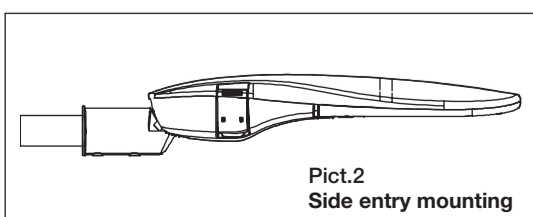
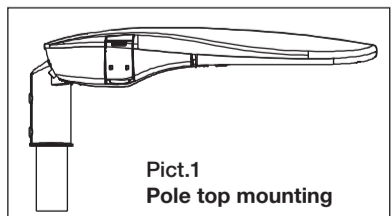
4. Tighten the disconnecting switch terminal (7) and then the cable gland (6).
5. Insert the base support (2) on the pole and tighten the dowels (8).
6. Place the whole LED wired tray (9), over the side hooks (10) of the base support (2), and close the side clips (1).



SUPPLEMENTARY MAINTENANCE TO REPLACE THE WIRING TRAY:

The luminaire Indus is equipped with a replaceable gear tray thanks to a tool free fast hooking system

1. Unhook the closing clips (1) and remove the whole LED wired tray (9).
2. Unfasten the wiring tray (11) by rotating the relevant lock (12).
3. Disconnect the quick release connectors out of the driver.
4. Replace the wiring tray (11), by connecting the drivers's quick release wires and pay attention to respect the colours and cable polarity.
5. Put back the lock (12) in the initial position in order to secure the wiring tray (11).
6. Place the whole LED wired tray (9), over the side hooks (10) of the base support (2), and close the side clips (1).



WARNINGS:

- THE SAFETY OF THIS PRODUCT IS GUARANTEED ONLY WITH THE RESPECT OF THE EXISTING RULES FOR THE ELECTRICAL SYSTEMS, AND WITH THE APPROPRIATE USE OF THESE INSTALLATION INSTRUCTIONS, THEREFORE IT IS NECESSARY TO KEEP THEM.
- THE IMPROPER USE OF THIS PRODUCT IS FORBIDDEN; ANY TAMPERING WITH THE PRODUCT OR MODIFICATION OF THE PRODUCT THAT IS NOT AUTHORIZED BY MARECO LUCE CAN CAUSE DAMAGE TO PEOPLE, ANIMALS OR THINGS, AND WILL VOID ANY WARRANTY OR LIABILITY.
- SWITCH OFF THE ELECTRICITY BEFORE CONDUCTING ANY KIND OF MAINTENANCE.
- THE PRODUCT MUST BE INSTALLED IN ACCORDANCE WITH BEST PRACTICE.
- THE LIGHT SOURCE OF THIS PRODUCT IS NOT REPLACEABLE, THEREFORE, WHEN IT REACHES THE END OF LIFE THE WHOLE LUMINAIRE MUST BE REPLACED.
- DAMAGED COMPONENTS MUST BE REPLACED WITH MARECO LUCE ORIGINAL SPARE PARTS BEFORE REUSING THE PRODUCT.

	Housing A	Housing B
The luminaire is suitable for indoor use	yes	yes
The luminaire can be installed on poles of max height	8 mt	15 mt
Suitable for mounting	On pole and bracket	On pole and bracket
Luminaire weight	4,1 Kg	6,8 Kg
Maximum projected surface area subject to wind pressure	//	0,186 m2
Torque value (in Nm) to apply in tightening all bolts and screws securing the luminaire on its support	2,5 Nm	2,5 Nm

GENERAL MAINTENANCE RECOMMENDATIONS:

- CLEAN THE FITTING PERIODICALLY TO REMOVE POSSIBLE DIRT DEPOSITS ON THE LUMINAIRE.
- DO NOT USE HARSH DETERGENTS TO CLEAN THE DIFFUSER.
- CHECK THE TIGHTNESS OF THE SCREWS SECURING THE LUMINAIRE TO ITS SUPPORT.
- CHECK THE INTEGRITY OF THE COMPONENTS AND REPLACE THEM IN CASE OF ANY DAMAGE BY USING ORIGINAL MARECO LUCE SPARE PARTS.