

# Use and maintenance instructions

## LIRA 40



Via S.Croce n°121 z.i.  
47032 Berinoro (FC) Italia

Ground recessed luminaire including a recessed box.

TECHNICAL DETAILS: refer to the product label

The EU declaration of conformity can be downloaded from our website [www.marecoluce.it](http://www.marecoluce.it)

**IP67** Protection degree against dust ingress, solid particles, moisture



Can be driven on by vehicles, max weight load 500 Kg, 20 Km/h



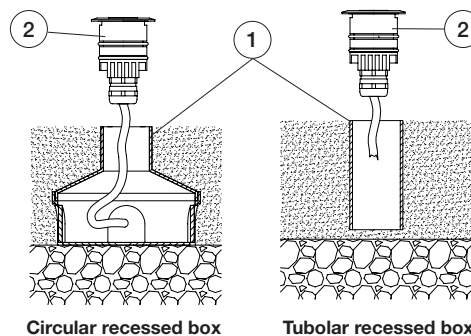
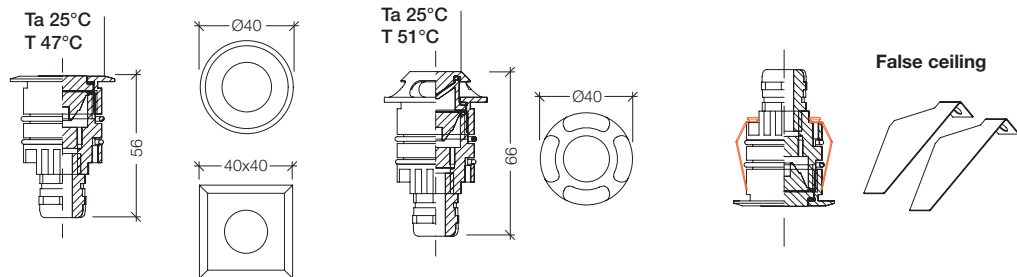
This product must not be disposed as a normal household waste

### WARNINGS:

- THE SAFETY OF THIS PRODUCT IS GUARANTEED ONLY WITH THE RESPECT OF THE EXISTING RULES FOR THE ELECTRICAL SYSTEMS AND WITH THE APPROPRIATE USE OF THESE INSTALLATION INSTRUCTIONS, THEREFORE IT IS NECESSARY TO KEEP THEM.
- THE IMPROPER USE OF THIS PRODUCT IS FORBIDDEN; ANY TAMPERING WITH THE PRODUCT OR MODIFICATION OF THE PRODUCT THAT IS NOT AUTHORIZED BY MARECO LUCE CAN CAUSE DAMAGE TO PEOPLE, ANIMALS OR THINGS AND WILL VOID ANY WARRANTY OR LIABILITY.
- SWITCH OFF THE ELECTRICITY BEFORE CONDUCTING ANY KIND OF MAINTENANCE.
- THE PRODUCT MUST BE INSTALLED IN ACCORDANCE WITH BEST PRACTICE.
- THE RECESSED BOX IS AN INTEGRAL PART OF THE LUMINAIRE, AND THEREFORE IN CASE OF GROUND INSTALLATION IT IS COMPULSORY.
- THE FALSE CEILING LOCKING MECHANISM KIT IS AN INTEGRAL PART OF THE LUMINAIRE, AND THEREFORE IN CASE OF FALSE CEILING INSTALLATION IT IS COMPULSORY.
- ANY PART OF THE LUMINAIRE NOT PROTECTED FROM THE RECESSED BOX SHOULD COME IN CONTACT WITH THE GROUND OR WITH HARSH CHEMICALS, DEFROSTING AGENTS, SALINE ENVIRONMENTS.
- DOT NOT COVER THE VISIBLE PARTS OF THE LUMINAIRE.
- DAMAGED COMPONENTS MUST BE REPLACED WITH MARECO LUCE ORIGINAL SPARE PARTS BEFORE REUSING THE PRODUCT.
- IN CASE OF FALSE CEILING INSTALLATION, MAKE SURE THAT THERE IS NO HEATING SYSTEM ABOVE THE CEILING.
- IN THE CASE OF 700mA SUPPLY, THE MAX ENVIRONMENTAL TEMPERATURE MUST NOT EXCEED 25°C
- CONNECT THE LUMINAIRES TO THE DRIVER FIRST, AND ONLY AFTER THIS STEP, CONNECT THE DRIVER TO THE MAIN SUPPLY.

### GENERAL MAINTENANCE RECOMMENDATIONS:

- CLEAN THE EXTERIOR PART OF THE LUMINAIRE PERIODICALLY IN ORDER TO REMOVE DIRT DEPOSITS ON THE DIFFUSER AND ON THE FRAME.
- DOT NOT USE HARSH DETERGENTS OR HIGH-PRESSURE WATER JET MACHINES TO CLEAN THE DIFFUSER.
- CHECK THE INTEGRITY OF THE COMPONENTS AND REPLACEMENT IN CASE OF DAMAGE BY USING ONLY MARECO LUCE ORIGINAL SPARE PARTS.

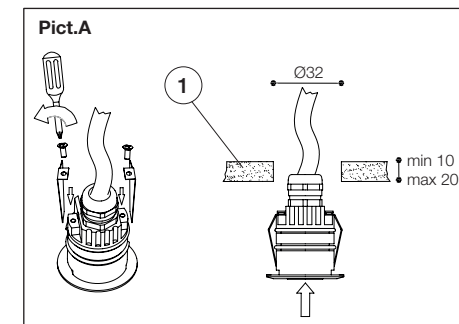


### INSTALLATION WITH recessed box:

1. Recess the recessed box (1) wall/floor/ceiling level (see the recessed box instructions), and then connect the wires (+ brown wire, - blue wire).
  2. Insert the fitting (2) into the recessed box, making sure to position it correctly according to the beam direction (for asymmetric and directional optics versions).
- WARNING:** fittings with built-in self locking mechanism rings. DO NOT USE ANY GLUES

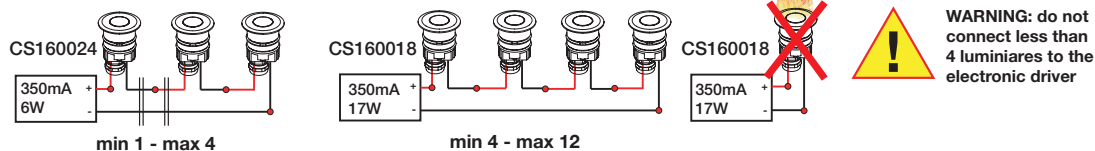
### INSTALLATION WITH locking mechanism for false ceiling:

1. Mount the Fixing Kit to the luminaire as shown in pict. A, tighten the screws tightly.
  2. Drill a Ø32mm hole on the wall or ceiling (1).
- WARNING:** the thickness of the installation surface must be between 10 and 20 mm.
3. Make the electrical connection: brown cable +, blue cable -.
  4. Insert the luminaire (2) in the hole checking the direction of the light beam for the versions with asymmetrical lens, and with eyelid.

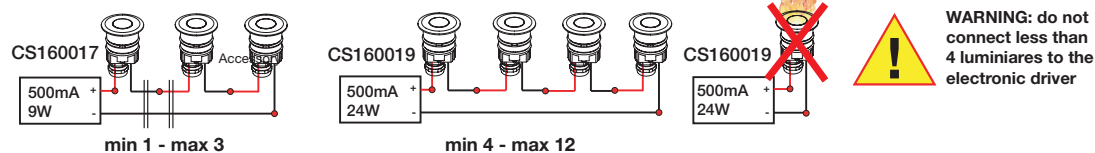


Series connection: Brown wire (+), blue wire (-)  
**WARNING:** IN THE CASE OF 700mA SUPPLY, THE MAX ENVIRONMENTAL TEMPERATURE MUST NOT EXCEED 25°C  
CONNECT THE LUMINAIRES TO THE DRIVER FIRST, AND ONLY AFTER THIS STEP, CONNECT THE DRIVER TO THE MAIN SUPPLY

#### 1W



#### 2W



#### 3W

