

Use and maintenance instructions

Barcelona-Barrio-Mirò

Outdoor luminaire suitable for installation on pole/bracket Ø60mm
TECHNICAL DETAILS: please refer to the product label

The EU declaration of conformity can be downloaded from our website www.marecoluce.it

Insulation Class II

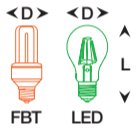
IP65 Protection degree against dust ingress, solid particles, moisture

This product must not be disposed as a normal household waste

AVVERTENZE:

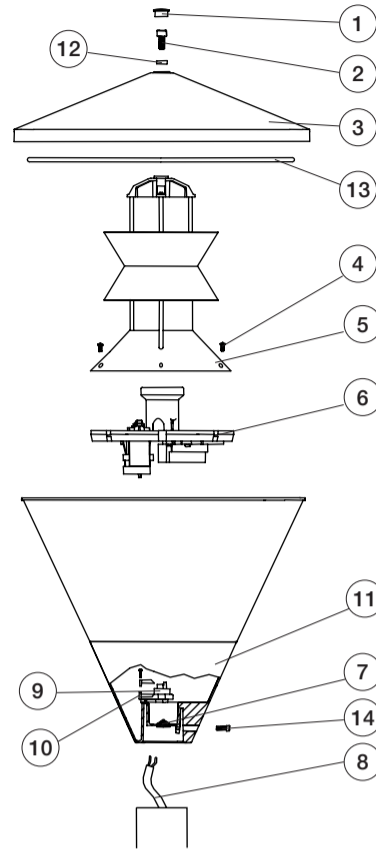
- THE SAFETY OF THIS PRODUCT IS GUARANTEED ONLY WITH THE RESPECT OF THE EXISTING RULES FOR THE ELECTRICAL SYSTEMS, AND WITH THE APPROPRIATE USE OF THESE INSTALLATION INSTRUCTIONS, THEREFORE IT IS NECESSARY TO KEEP THEM.
- THE IMPROPER USE OF THIS PRODUCT IS FORBIDDEN; ANY TAMPERING WITH THE PRODUCT OR MODIFICATION OF THE PRODUCT THAT IS NOT AUTHORIZED BY MARECO LUCE CAN CAUSE DAMAGE TO PEOPLE, ANIMALS OR THINGS, AND WILL VOID ANY WARRANTY OR LIABILITY.
- SWITCH OFF THE ELECTRICITY BEFORE CONDUCTING ANY KIND OF MAINTENANCE.
- THE PRODUCT MUST BE INSTALLED IN ACCORDANCE WITH BEST PRACTICE.
- DAMAGED COMPONENTS MUST BE REPLACED WITH MARECO LUCE ORIGINAL SPARE PARTS BEFORE REUSING THE PRODUCT.

- MAX LAMP SIZE (IN MM):
-Mirò FBT d80 L190
-Barcelona/Barrio FBT d80 L210



GENERAL MAINTENANCE RECOMMENDATIONS:

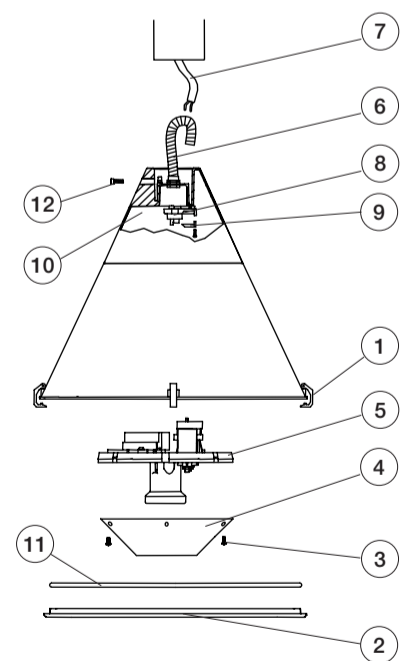
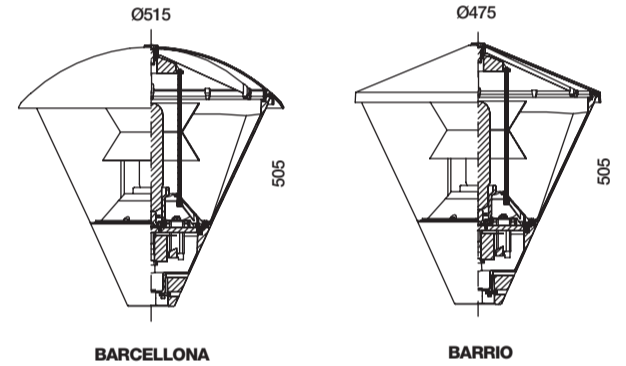
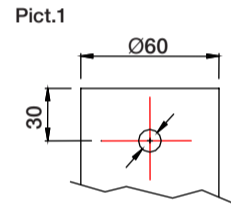
- CLEAN THE FITTING PERIODICALLY TO REMOVE POSSIBLE DIRT DEPOSITS ON THE LUMINAIRE.
- DO NOT USE HARSH DETERGENTS TO CLEAN THE LUMINAIRE.
- CHECK THE TIGHTNESS OF THE SCREWS SECURING THE LUMINAIRE TO ITS SUPPORT.
- CHECK THE INTEGRITY OF THE COMPONENTS AND REPLACE THEM IN CASE OF ANY DAMAGE BY USING ORIGINAL MARECO LUCE SPARE PARTS.



INSTALLATION INSTRUCTIONS BARCELONA-BARRIO:

1. Remove the protection cap (1), untighten the screw (2) and remove the fitting's upper cover (3).
2. Untighten the screws (4) and remove the cone (5) (complete with antiglare baffle in the version with louver).
3. Remove the wiring-holder plate (6) by using the holes.
4. In order to ensure the protection degree, make a hole on the cable sleeve (7), smaller than the diameter of the cable.
5. Insert the supply cable (8) through the cable sleeve (7).

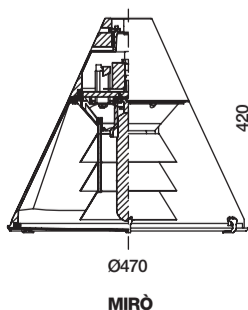
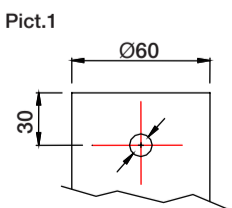
- CAUTION:** use only a flexible double insulation sheath (type HAR), suitable for outdoor use. The diameter of the inner electrical wires must range between 1 and 2.5mmq
6. Connect the supply cable (8) to the terminal block of the disconnecting switch (9) and fix it on the cable clamp (10).
 7. Insert the wiring holder plate (6) on the base (11) by ensuring that the shaft on the base matches the hole on the wiring plate (6).
 8. Insert the cone (5) (complete with antiglare louver where needed) and tighten the screws (4).
 9. Insert the lamp (not included)
 10. Tighten the screw strongly (2) and insert the fitting's upper (1) by paying attention to position the gaskets correctly (12) (13)
 11. If not present, drill a hole on the pole-top as indicated in Pict.1; insert the fitting and tighten the screws (14). One of the screws must be inserted in the hole.



INSTALLATION INSTRUCTIONS MIRO':

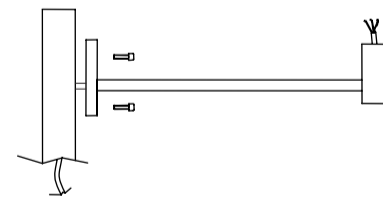
1. Unhook the closing clips of the diffuser (1) and remove the diffuser (2).
 2. Untighten the screws (3) and remove the cone (4).
 3. Remove the wiring-holder plate (5) by using the holes.
 4. Insert the supply cable through the sheath (6).
- CAUTION:** use only a flexible double insulation sheath (type HAR), suitable for outdoor use. The diameter of the inner electrical wires must range between 1 and 2.5mmq

5. Connect the supply cable (7) to the terminal block of the disconnecting switch (8) and fix it on the cable clamp (9).
6. Insert the wiring holder plate (5) on the base (10) by ensuring that the shaft on the base matches the hole on the wiring plate (5).
7. Insert the cones (4) (complete with antiglare louver where needed) and tighten the screws (3).
8. Insert the lamp (not included).
9. Pay attention to position the gasket properly (11) in the seat of the diffuser (2), and hook the clips (1).
10. Fold the sheath (6) and insert it in the bracket top as indicated in the picture to preserve the declared IP rate.
11. If not present, drill a hole on the bracket top as indicated in Pict.1; insert the fitting and tighten the screws (12). One of the screws must be inserted in the hole.

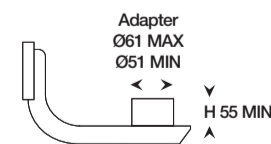


INSTRUCTIONS FOR BRACKET MOUNTING:

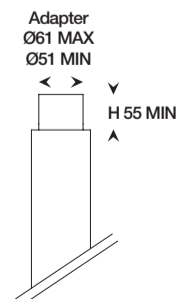
1. Insert the supply cable into the bracket through the hole
2. Proceed with installing the fitting by following the instructions
3. Fix the bracket on the pole or on the wall, depending on the model. For the pole version, use the supplied screws, for the wall-mounted version use the screws and expansion caps (not included) according to the type of installation surface.



Installation on brackets



Installation on poles



Measures expressed in mm