

This document is exclusive MARECO LUCE s.r.l., is strictly prohibited disclosure or reproduction, even partial, as well the use of without written consent of MARECO LUCE s.r.l..The company reserves the right to change models, dimensions and materials at any time without notice.

PRODUCT DATA SHEET

Barrio Opal

Code : 1610101N

PRODUCT FAMILY

- Urban architectural luminaire, suitable for uplight installation on poles Ø60mm on top (IP65)

MATERIAL CHARACTERISTICS

- Hexagonally shaped base made of die-cast aluminium (ADC12) anodized and painted
- Diffuser in thick (3.5mm) opal PMMA (acrylic), hexagonally shaped at base (connection to aluminium base) and circular at the top (connection to cover)
- Hexagonal-circular shaped top cover in NY-FV30% moulded with "micro-shot blasted" finish
- Cone covering gear tray in black, NY-FV30% with integrated aluminium, anti-glare louvers
- Reflector in aluminium
- Polyester powder coating with a pretreatment (Phosphochromating method) to ensure high protection against weathering
- Silicone gaskets
- A2 stainless steel screws

COLOUR

- Black textured

LIGHTING CHARACTERISTICS

- Fluorescent light source, fixed position
- Round symmetrical light throw
- Reflector in aluminium for indirect lighting recovery
- Anti-glare louvers for low light pollution
- Fixture conforms with local and international dark sky laws with emission 0.49cd/Klm for angles 90°, Rn 0.79% - 28.04%

WIRING CHARACTERISTICS

- Easily extractable gear tray made from NY-FV30% connected to terminal with automatic connection
- Luminaire designed for max 30W FBT lamp E27 lamp holder supply tension 220-240V 50-60Hz
- Max lamp dimension allowed Ø80xL210mm

INSTALLATION AND ORDINARY MAINTENANCE CHARACTERISTICS

- Luminaire for direct installation on pole tops Ø60mm
- Fixing to pole using n.3 screws, n.1 of which is a through bolt (safety)
- Ordinary maintenance by loosening n.1 screw placed at the top of the cover in order to access the optical compartment

DIMENSIONS

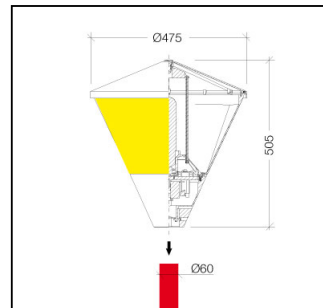
- Conically shaped fixture with hexagonal-circular sections
- Ø475x505mm

- Warranty: 3 years

Rev 02-11/12/2015

Details

- Conformity with CEE directives
- Double insulation/class II
- IK08
- IP 65



220-240V 50/60Hz 30W max E27

CE  IK08 IP65

