

This document is exclusive MARECO LUCE s.r.l., is strictly prohibited disclosure or reproduction, even partial, as well the use of without written consent of MARECO LUCE s.r.l..The company reserves the right to change models, dimensions and materials at any time without notice.

PRODUCT DATA SHEET

IP68 Connector

Code : CS093000

PRODUCT FAMILY

- IP68 terminal block

GENERAL DESCRIPTION

- Type of installation: Joint connector
- Type of product: TEETUBE® - In-line and junction circular connectors IP68
- Product name: Circular mini-junction connector
- Product configuration: In-line joint connector
- Type of Fixation: With quick-fix mounting clip
- Colour: Black (Plastic components) - Techno green (Rubber components)
- Outer dimension: Ø23x68mm

ELECTRICAL CHARACTERISTICS

- Number of poles: 3
- Contact marking: 1-3-4(E)
- Type of connection: screw (M3 - max. 1.0 Nm)
- Operating current: max 24A
- Operating voltage: max 450VAC

MECHANICAL CHARACTERISTICS

- Protection against solid/water: IP68 (30m,2h)
- Corrosion resistance: Salt mist, 1.000 hours, 5% salt solutions, 35°C EN60068-2-11:2000, Test Ka (168h)

CABLE CHARACTERISTICS

- Wire cross-section min. - max. (Stranded cable): 0.25mmq - 2.5mmq
- Wire cross-section min. - max. (Solid cable): 0.25mmq - 2.5mmq
- Cable diameter: min. - max. 7.0mm - 12mm

MATERIAL CHARACTERISTICS

- Connector housing: PA66 GF UL94 V0 GWT 960°C
- Cable gland: PA66 UL94 V2 GWT 850°C
- Sealing: Silicone
- Grommets: TPE
- Contacts: CuZn (nickel plated)
- Screws: Steel (Zinco)
- Material properties: Halogen Free
- T marking: T85°C
- Operating temperature range: -40°C / +125°C

INDUSTRY STANDARDS

- Standard number: EN 60998-1:2004
- ENEC-03 certified

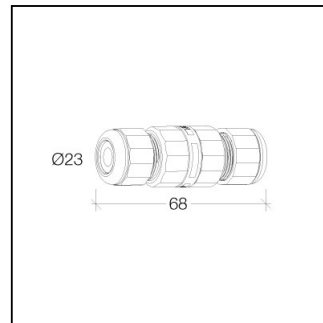
DIMENSIONS

- Ø23x68mm

Rev. 1 - 11/11/19

Details

- Conformity with CEE directives
- IP 68



CE	
	IP68