

This document is exclusive MARECO LUCE s.r.l., is strictly prohibited disclosure or reproduction, even partial, as well the use of without written consent of MARECO LUCE s.r.l. The company reserves the right to change models, dimensions and materials at any time without notice.

PRODUCT DATA SHEET

Antera

Code : 1064184J

PRODUCT FAMILY

- Outdoor luminaire for residential use, to be installed on pole top Ø60mm, upright mounting (IP65)

MATERIALS CHARACTERISTICS

- Housing in die-cast aluminium (ADC12) anodized and painted
 - Outdoor polyester powder coating with a pretreatment (Phosphochromating method) to ensure high protection against weathering
 - Diffuser in traslucent PMMA (acrylic) with brushed effect, sealed with pure neutral silicone, anti-mold with low elastic modulus for an excellent resistance to aging, weathering, and UV rays
 - A2 stainless steel screws

Mechanical properties of silicone, polymerized 7 days at 22°C and 50% relative humidity

- Hardness, Shore A 37
 - Tensile strength MPa 2,5
 - Elongation at break %680

COLOUR

- Metallic grey RAL 9006
 - Black
 - Rust
 - Grey RAL 9007

LIGHTING CHARACTERISTICS

- LED lighting source mains supplied, in a fixed position
 - Immediately ON at 100% of the light flux
 - Monochromatic LED's module (76 LED's)
 - LED's Osram 2835 with beam 120°
 - PCB in FR4, thickness 1,6mm

WIRING CHARACTERISTICS

- LED's module 15W mains powered 220-240V 50/60Hz
 - PG9 metallic cable gland equipped with osmotic valve for air and humidity leakage (reducing the overpressures)
 - Pre-wired with H05RN-F 3x0.75mmq cable (100cm) for the connection to the mains

INSTALLATION AND MAINTENANCE CHARACTERISTICS

- Luminaire for direct installation on Ø60mm poles
 - To be installed by two expanders in reinforced thermoplastic that secure the luminaire to the pole or bracket from inside, by tightening the screws
 - Ordinary maintenance not necessary
 - The "T"-3 ways IP68 connector cannot be placed inside the pole Ø60mm

DIMENSIONS

- 258x170mm

OPTIONAL ACCESSORIES TO BE ORDERED SEPARATELY:

- IP68 connector - COD.CS093000
 - "T"-3 ways IP68 connector - COD.CS093001
 - Mistral - COD.1480000N
 - Mistral metallic grey RAL 9006 - COD.1480000G
 - Mistral rust - COD.1480000J
 - Mistral grey RAL 9007 - COD.1480000W

RECOMMENDED POLES TO BE ORDERED SEPARATELY:

- Slick H1000 - COD.1400200N
 - Slick H1500 - COD.1400300N
 - Slick H2000 - COD.1400400N
 - Slick metallic grey RAL 9006 H1000 - COD.1400200G

- Slick metallic grey RAL 9006 H1500 - COD.1400300G
 - Slick metallic grey RAL 9006 H2000 - COD.1400400G
 - Slick rust H1000 - COD.1400200J
 - Slick rust H1500 - COD.1400300J
 - Slick rust H2000 - COD.1400400J
 - Slick grey RAL 9007 H1000 - COD.1400200W
 - Slick grey RAL 9007 H1500 - COD.1400300W
 - Slick grey RAL 9007 H2000 - COD.1400400W
 - Rigo H1000 - COD.1409200N
 - Rigo H1500 - COD.1409300N
 - Rigo H2000 - COD.1409400N

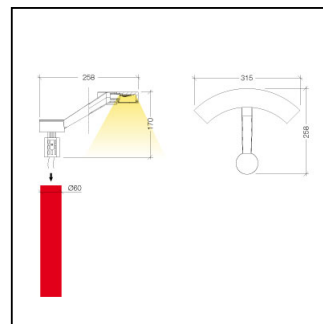
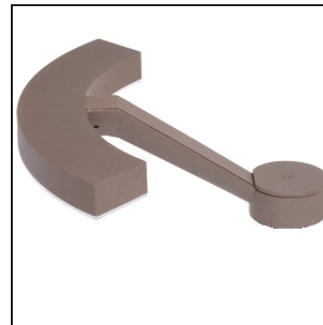
TECHNICAL SPECS 3000K/4000K

• LED's output: 1425lm@tc25°C
 • Luminaire output: 1319lm@ta25°C
 • LED's efficiency: 95lm/W
 • Luminaire efficiency: 88lm/W
 • LED's circuit board consumption: 15W
 • Luminaire consumption: 15W
 • LED's type: Osram 2835
 • Step MacAdam: 3
 • Lifetime Led: L70/B50=60Kh – Tc105°C
 • Warranty: 3 years

Rev. 2 - 26/02/20

Details

• Conformity with CEE directives
 • CLASS I
 • IK05
 • RG1
 • CRI>80
 • CLASS A+
 • IP 65



220-240V 50/60Hz 15W

